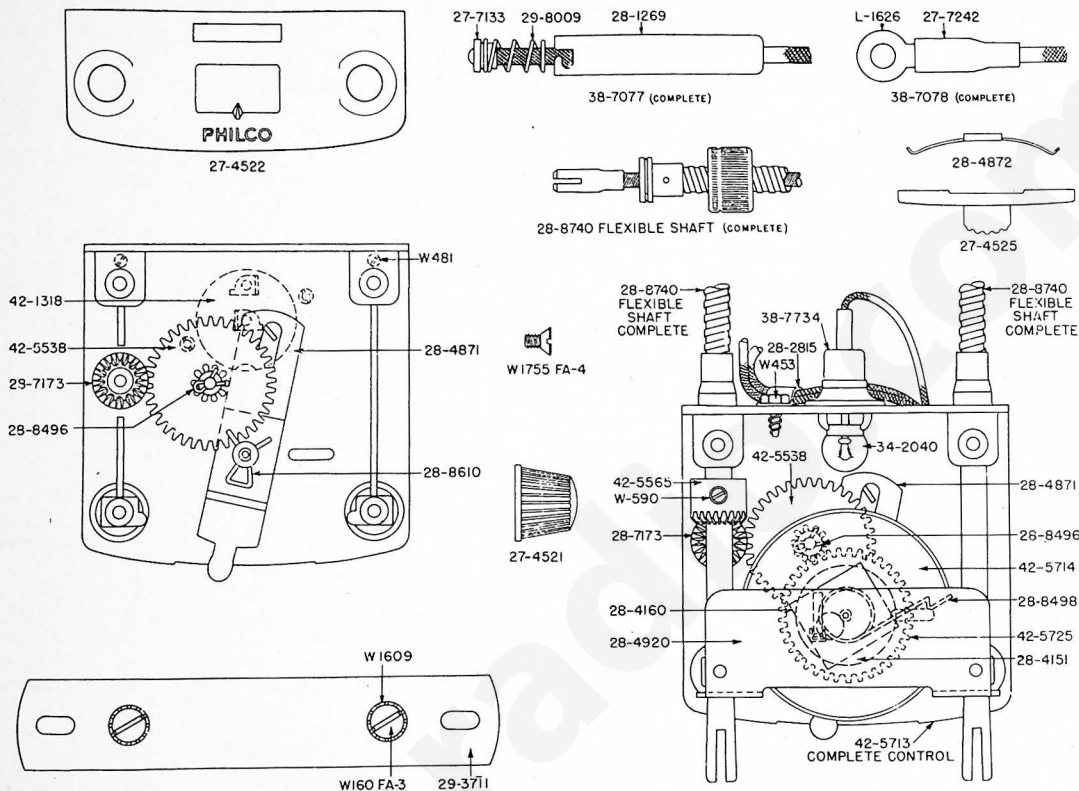


# STANDARD CONTROL---MODELS 826, 827, 827K, 828 and 828K



## PARTS LIST AND PRICES (Prices Subject to Change Without Notice)

PART NUMBER	DESCRIPTION	LIST PRICE	PART NUMBER	DESCRIPTION	LIST PRICE
L-1926	Lace	.01	28-4893	Bezel Plate	.10
W-160FA3	Screw (Brkt. mtg.)	.30	28-4920	Shaft Bearing Plate	.10
W-453	Screw	per 100 1.80	28-7173	Miter Gear	.15
W-481	Screw	per 100 2.00	28-8495	Flexible Shaft	1.15
W-590	Screw	per 100 2.00	28-8496	Spring	.05
W-68FA3	Nut	per 100 1.25	28-8498	Anti-back Lash Spring	.10
W-1433	Washer	per 100 .50	28-8610	Spring	.03
W-1609	Lockwasher	per 100 .50	28-8653	Spring	.10
W-1755FA1	Screw (Cover mtg.)	per 100 .30	28-8740	Flexible Shaft	1.00
1436	Washer	per 100 1.50	29-3711	Bracket	.03
27-4288	Knob	.15	29-8009	Spring	per 100 .50
27-4314	Knob	.04	34-2040	Pilot Lamp	.07
27-4521	Knob	.10	38-7077	Fuse Lead Assembly	.15
27-4522	Cover	.75	38-7078	Ammeter Lead Assembly	.15
27-4525	Switch Lever Knob	.10	38-7734	Pilot Lamp Assembly	.35
27-5186	Light Shield	.01	38-8265	Pilot Lamp Assembly	.30
27-7133	Ferrule	.01	42-1318	On & Off Switch	.40
27-7242	Insulator	per 100 .10	42-5538	Intermediate Gear Assembly	.15
27-8205	Shield	per 100 .50	42-5538	Cover Assembly	.65
28-1269	Fuse Housing	.01	42-5565	Miter Gear Assembly	.15
28-2950	Washer	per 100 .15	42-5713	Standard Control	6.75
28-2815	Clamp	.01	42-5714	Scale Assembly	.35
28-2898	Knob Base	.01	42-5725	Drum Drive Gear Assembly	.01
28-4151	Friction Washer	.02	42-5726	Drum Gear and Shaft Assembly	.01
28-4160	Friction Spring	.01	42-5730	Chevrolet Control	6.00
28-4871	Switch Lever	.01	42-5731	Scale Assembly	.30
28-4872	Switch Knob Retaining Spring	.02			

\*Prices not available at this time.